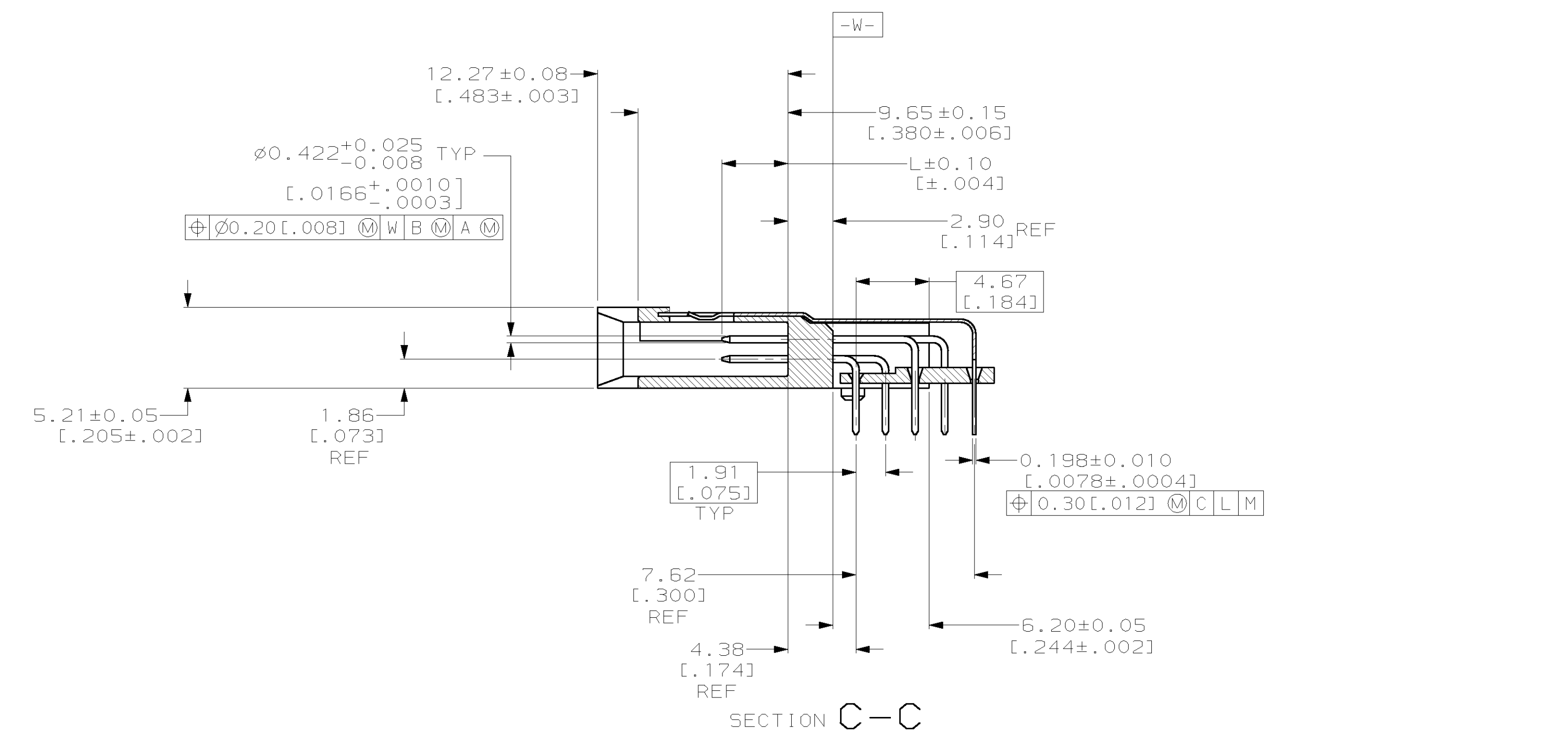
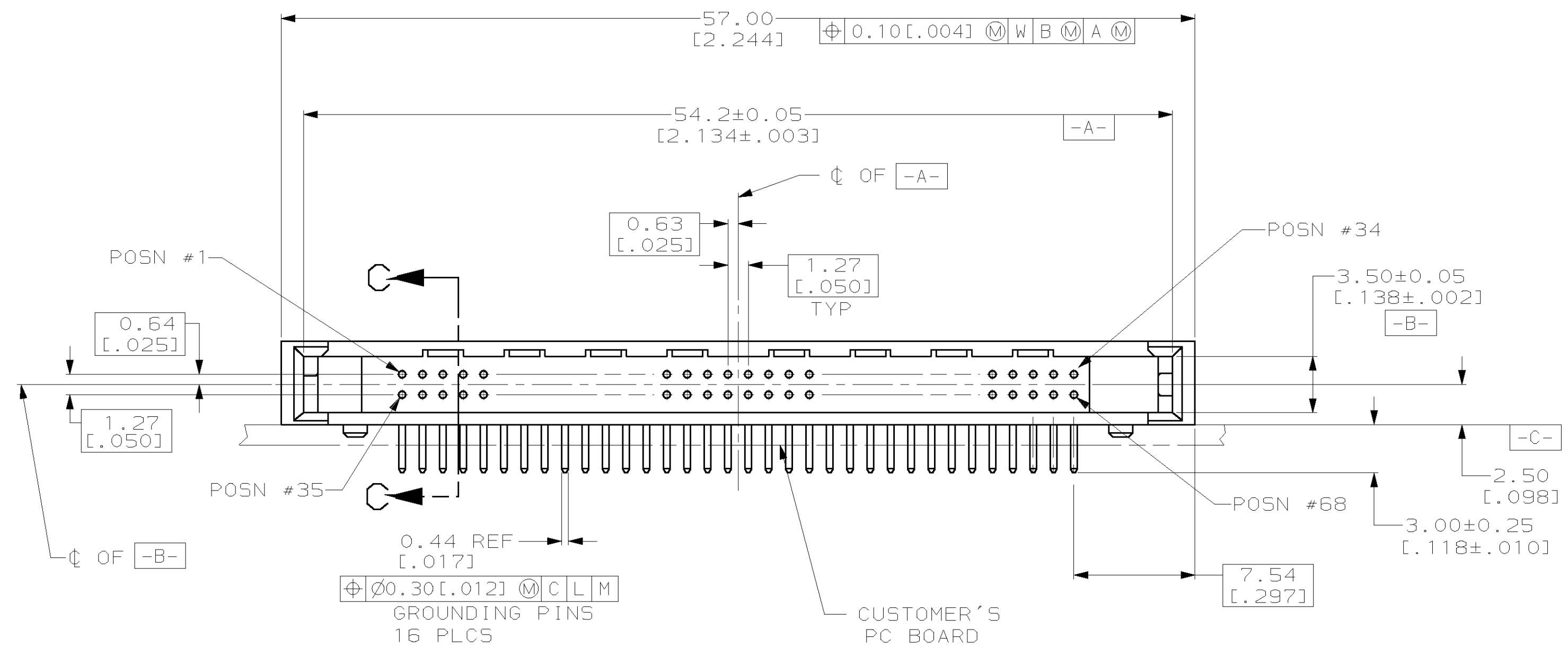
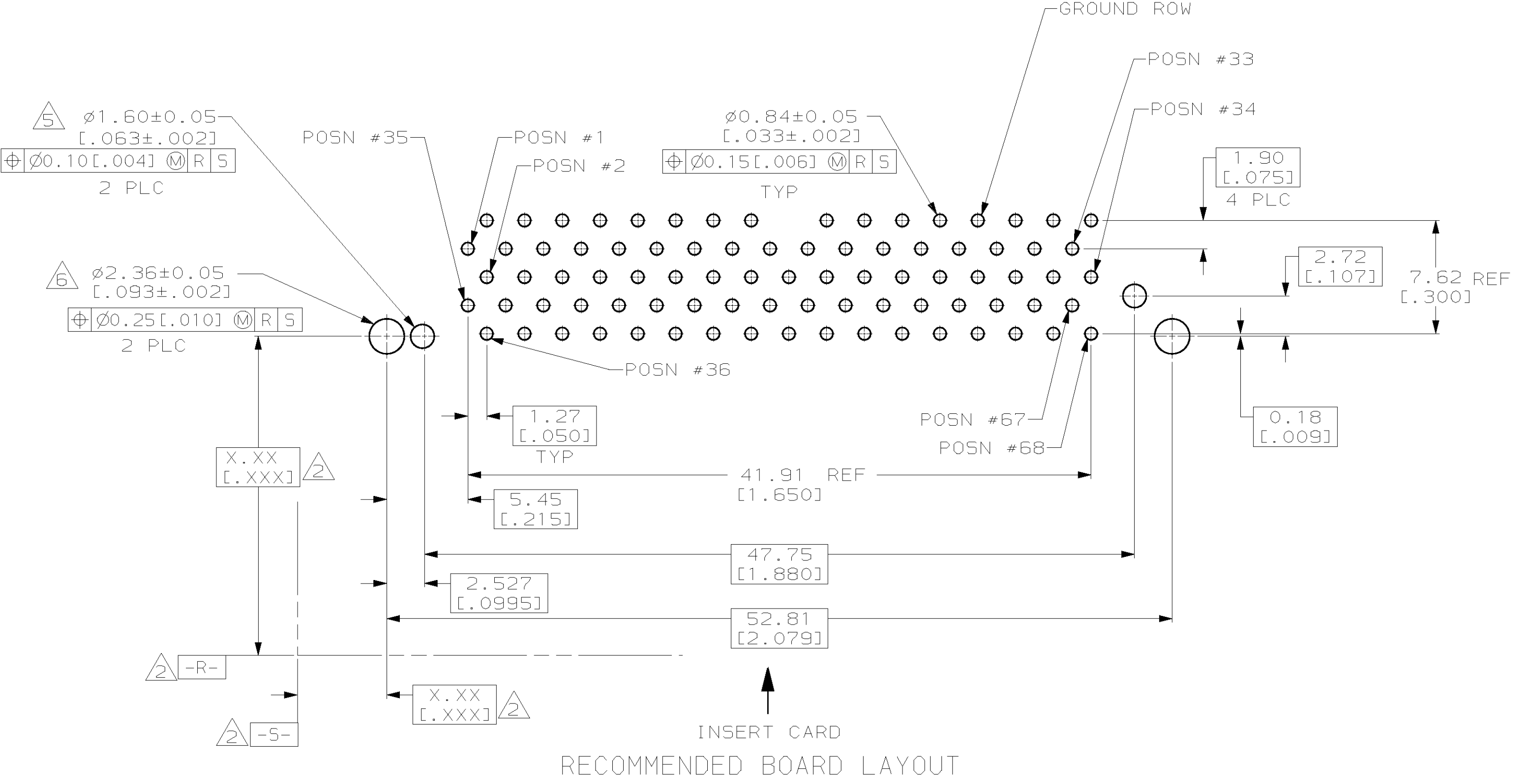
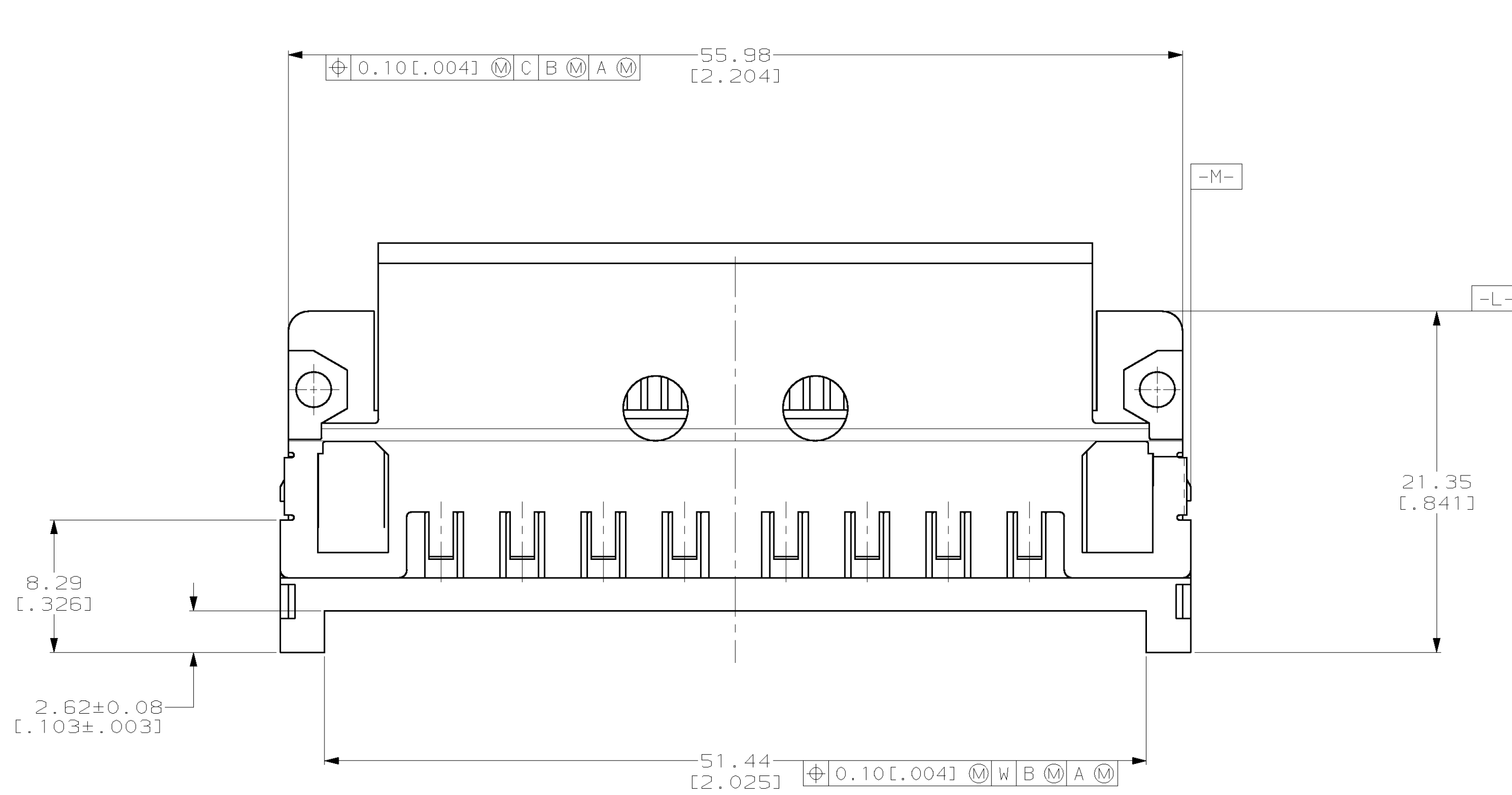


REV	DATE	DESCRIPTION	DATE	OWN	APPROV
0	2/20/97	RELEASED, WA5 96-1129-26		JR	VR
B	12/09/98	REV PER EC 0651-0258-98		MM	MP



- ⚠ 0.00076 [0.00030] MINIMUM GOLD IN CONTACT AREA, 0.00381 [0.00150] MIN TIN-LEAD ON SOLDER TAILS, ALL OVER 0.00127 [0.00050] MINIMUM NICKEL
- ⚠ DATUMS AND BASIC DIMENSIONS ESTABLISHED BY CUSTOMER
- 3 CONNECTOR REQUIRES USE OF 2 - SIZE 2M SCREWS FOR FASTENING TO PRINTED CIRCUIT BOARD
- ⚠ ASSEMBLY KEYED FOR LOW VOLT CARDS (3.3V)
- ⚠ USE 1.6MM DRILL.
- ⚠ USE 2.35MM DRILL.

VOLTAGE KEYING & IDENTIFICATION	1, 17, 34 35, 51, 68	ALL OTHER PINS	36, 67	146767-1						
	5.0 [0.197]	4.25 [0.167]	3.5 [0.138]	PART NUMBER						
"L" (PIN LENGTH) AND LOCATION										
<table border="1"> <tr> <td>AMP INCORPORATED</td> <td>HARRISBURG, PA 17105-3608</td> </tr> </table>					AMP INCORPORATED	HARRISBURG, PA 17105-3608				
AMP INCORPORATED	HARRISBURG, PA 17105-3608									
<table border="1"> <tr> <td>AMP</td> <td>PIN HEADER, LOW PROFILE, 68 POSN, TOP BOARD, THRU-HOLE PC CARDBUS</td> </tr> </table>					AMP	PIN HEADER, LOW PROFILE, 68 POSN, TOP BOARD, THRU-HOLE PC CARDBUS				
AMP	PIN HEADER, LOW PROFILE, 68 POSN, TOP BOARD, THRU-HOLE PC CARDBUS									
<table border="1"> <tr> <td>SIZE</td> <td>CAGE CODE</td> <td>DRAWING NO</td> </tr> <tr> <td>A1</td> <td>00779</td> <td>C=146767</td> </tr> </table>					SIZE	CAGE CODE	DRAWING NO	A1	00779	C=146767
SIZE	CAGE CODE	DRAWING NO								
A1	00779	C=146767								
CUSTOMER DRAWING										